

# GE-PT450I30X-5MSP

H.265 Network IR PTZ 5MP Starlight Dome Camera 30X



## Features

- Starlight Ultra Low Light 0.002lu
- S+265/H.265/H.264 HP/MP/BP/M-JPEG Codec
- Up to 5MP@20fps
- Mechanical WDR 140dB
- Smart IR, IR Range: 450m
- NIR, WDR, 3D DNR, HLC, Dual-ICR, AWB, AGC, BLC
- VCA Tripwire/Double Tripwire/Perimeter/Object Abandon/Object Lost/Running/Loitering/Parking/Audio Abnormal Detection/Video Abnormal Detection
- Optical Zoom: 30x, Digital Zoom: 16x
- Speed Max 400°/s, -16~90° Tilt Angle
- Audio in/out 1 (Bulit-in Mic)/1, Alarm in/out 1/1, MicroSD Card Slot, up to 128GB, Reset Button
- TVS 6000V, Lightning/Surge 4000V Protection, IP66
- Operating Conditions -40°C~70°C, 0~95% RHG

## Specifications

ITEM	GE-PT450I30X-5MSP
Image Sensor	1/2.8" 5mp CMOS
Effective Pixels	5MP
Signal System	PAL/NTSC
Minimum Illumination	Color: 0.002 Lux @(F1.6, 50IRE, ICR off) Black&White:0.001Lux @(F1.6,ICR on) 0 Lux with IR on
White Balance	Auto/ ATW/ Manual
AGC	Auto/ Manual
S/N Ratio	≥ 55dB
BLC	Y
HLC	Y
Smart Defog	Y
WDR	140dB
Digital Noise Reduction	3D DNR
Exposure Mode	Auto/ Manual/ Iris First/ Shutter First
Shutter Time	1/1s-1/100000s
Day& Night	Dual-ICR
Digital Zoom	16x
Privacy Masking	24 Dynamic Privacy Masks; Optional Multiple Colors
Auto Focus	Auto/ Semi-automatic/ Manual
OSD	16×16,32×32,24×24,48×48,64×64,96×96 Character Size Time/Date/Week/Character Superposition in 5 Regions PTZ Angle Superposition

Lens	
Focal Length	4.7-141mm, 30x
Zoom Speed	Approx.5s(Optical Wide-Tele)
Angle of View	69.5°(w) ~ 2.7°(t)
Minimum Working Distance	1-1.5m(Wide-Tele)
Aperture Range	F1.5 ~ F4.0

Pan & Tilt	
Pan Range	360°endless
Pan Speed	Pan Manual Speed: 0.1°-240°/s Pan Preset Speed: 240°/s stepless
Preset Accuracy	±0.2°
Tilt Range	-16°-90° (Auto Flip )
Tilt Speed	Tilt Manual Speed: 0.1°-240°/s Tilt Preset Speed: 240°/s

Proportional Zoom	
Rotation Speed	Can Be Adjusted Automatically According to Zoom Multiples
3D Position	Y
Number of Preset	500
Scan	8
Cruise	8, up to 32 Presets per Cruise
Pattern	8, Each One With 600s Memory or 300 Orders
Power loss recovery	Y
Guard Action	Preset/ Cruise/ Pattern/ Scan
PTZ Position Display	Y
Freeze Frame	Y
RS-485 Protocols	PTZ_PELCO_D , PTZ_PELCO_P , PTZ_TC615_P , DOME_PELCO_D , DOME_PELCO_P , DOME_PLUS

Infrared	
IR Distance	450m
IR Angle	Adjustable by Zoom

Interface	
Audio Input	1-ch Mic in(Line in Interface) Line Input 2-2.4V(p-p); Output Impedance 1KΩ, ±10%
Audio Output	1-ch, Line level, Impedance: 600Ω, Buit-in speaker optional
Ethernet	1-ch RJ45 10M/ 100M
Alarm Input	1-ch
Alarm Output	1-ch
On-board Storage	MicroSD Card Slot, up to 128GB
BNC	1.0Vp-p / 75Ω, NTSC (or PAL) Composite
RS-485	1-ch
Extension	N/A

Network	
Ethernet	10Base -T/100Base-TX RJ45 Connector
Max. Image Resolution	2592×1944
Main Stream	2592×1944@18fps ; 2560×1920@20fps ; 2592×1520@25fps ; 2560×1440@25fps ; 2048×1536@25/30fps ; 1920×1080@25/30fps ; 1280×960@25/30fps ; 1280×720@25/30fps
Sub Stream	704×576@25/30fps; 640×360@25/30fps; 704×288@25/30fps; 352×288@25/30fps;
Third Stream	704×576@25/30fps; 640×480@25/30fps; 352×288@25/30fps;
Image Compression	S+265/H.265/H.264, Encoding with Baseline/Main/High Profile
ROI Encoding	7 Dynamic Areas for Both Main and Sub Stream
Audio Compression	G711A/G711U/ADPCM/AAC
Protocols	IPv4/IPv6/ HTTP/ HTTPS/ 802.1x/ Qos/ FTP/ SMTP/ UPnP/ SNMP/ DNS/ DDNS/ NTP/ RTSP/ RTP/ TCP/ UDP/ IGMP/ ICMP/ DHCP/ PPPoE

Remote Connection	10 Users Access at the Same Time
User Permission	Up to 32 Users, 4 Levels User Authentication (ID and PW),
Security Measures	Host Authentication (MAC Address) IP Address Filtering
Web Browser	IE8,IE9,IE10,IE11,Firefox24
System Compatibility	ONVIF (Profile S), SDK

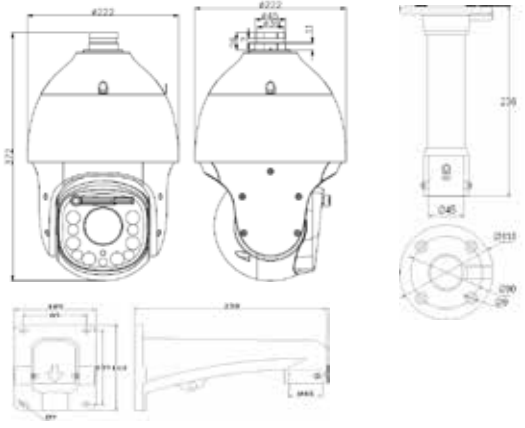
Advance	
Video Analytics(IVA)	Tripwire/Double Tripwire/Perimeter/Object Abandon/Object Lost/Running/Loitering/Parking/Audio Abnormal Detection/Video Abnormal Detection
Intelligent Alarm	Harsh Voice Alarm, Motion Detection, Mask Alarm, Port Alarm, Network Disable Alarm, IP Conflict, MAC Conflict Detection

General	
Language	English, Spanish, Korean, Italian, Turkish, Thai, Russian, Traditional Chinese, Simplified Chinese, Polish, French
Operating Conditions	-40°C~70°C, 0~95% RHG
Power Supply	AC24V 3A
Power Consumption	38.6W MAX
Circuit Protection	TVS 6000V, Lightning/ Surge 4000V Protection, IP66

## Dimension (unit:mm)

## Weight

4.8KG (IP PTZ Only), 7.5KG (with Packing Box)



(\*) Design and specifications are subject to change for product improvements without prior notice.

