



GE-F30WI2M

2MP Fisheye With WiFi IP Network Camera with IR



Features

- 1/3" Aptina HD CMOS Sensor 2Mega pixels
- 5MP High-definition Panoramic Lens 1.05mm
- AR0330+FH8830
- H.264 Compression Method
- With WiFi (Max. 300m), Support 2-Way Audio
- Improved noise figure with the enhanced 3DNR
- Support Alarm In/Out, Support CVBS
- With Internal POE, SD Card Slot (Max. 64GB)

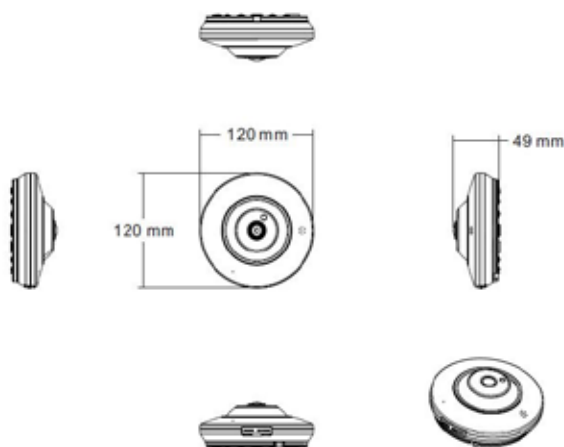
Specifications

ITEM	GE-F30WI2M
Imaging Sensor	1/3" Aptina HD CMOS Sensor
Effective Pixels	1985(H)*1105(V). 2Mega pixels
TV System	PAL/NTSC
Scanning mode	Progressive Scan
S/N Ratio	≥52dB
Day & Night mode	Color/ B&W (IR-CUT)
WDR	Automatic
DNR	2D-NR, 3D-NR
Auto Exposure	Automatic (Priority: Frame rate/Low noise), Manual
Shutter Speed	Auto: PAL 1/25-1/10000Sec; NTSC 1/25-1/10000Sec
Gain Control	Automatic: ~ Max. 46.2dB / Manual: ~ Max. 46.2dB
Auto White Balance mode	ATW-Indoor/Outdoor, Automatic
Lens	1.05mm Fixed
LED	42µx 3PCS IR Distance 30m Max
Functions	Motion Detection, Privacy Mask, D-Zoom, HLC/BLC, Mirror/Flip, Sens-up(Slow shutter), Hue, Brightness, Contrast, Saturation, Sharpness,
Storage Temperature	-20°C ~ +60°C RH95% Max
Operating Temp	-20°C ~ +60°C RH95% Max
Dimension	182(W) x 66(H) x 67.5(D)mm
Housing	IP66, Aluminum Cast, Dual window, One touch 3-Axis locking bracket, Easy Installation Pad
Power Source	PoE(IEEE Std. 802.3af), 8W (PoE power), DC12V±10%, 1050mA
NETWORK SPECIFICATION	
Video Compression	H.264/JPEG/AVI/MJPEG
Video Resolution	1920x1080, 1600 x1200, 1280x960, 1280x720, 800x600, 640x480, 640x360, 320x240
Video Frame Rate	1920*1080@30fps
IE Brower	IE8-11, Google Chrome, Firefox, Safari, Mac Safari
Smart Phone	iPhone, iPad, Android, Android Pad
P2P	YES, Support QR Code
Ethernet	RJ-45 (10/100Base-T)
Network Time Sync.	Synchronize Computer/NTP Server, Manual
Video Delay	0.3S (Within the Lan)
RS485	/
Remote Upgrade	Using Web Browser
Protocol	TCP/IP,ICMP,HTTP,HTTPS,FTP,DHCP,DNS,DDNS,RTP,RTSP, RTCP,NTP,SMTP
Client Software	Built-In Web, ONVIF Compatible 3rd Party VMS
SDK Support	API, ONVIF Profile S Compliant
SD memory card	support 64G Micro SD
Audio & Alarm	1channel Input/Ouput / 2-way audio(3.5mm audio interface)

Dimension (unit:mm)

Weight

500g



(* Design and specifications are subject to change for product improvements without prior notice.

