



GE-F30WI12M

12MP Fisheye With IP Network Camera with IR



Features

- 1/1.7" SONY Low Illumination CMOS Sensor
- 12MP High-definition Panoramic Lens 1.77mm
- HISILICON IMX226+Hi3519V
- H.265/H.264 Compression Method
- Support 2-Way Audio
- Improved noise figure with the enhanced 3DNR
- Support Alarm In/Out, Support CVBS
- With Internal POE, SD Card Slot (Max. 64GB)

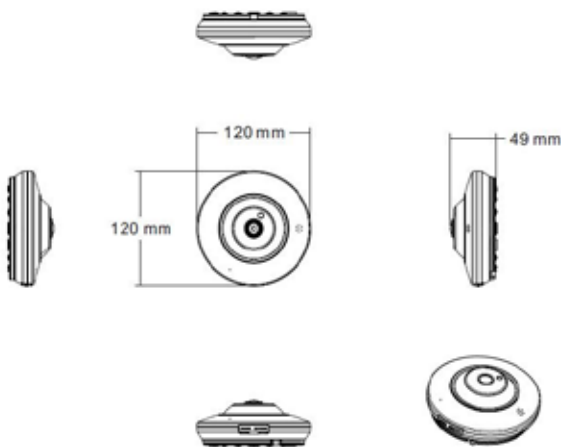
Specifications

ITEM	GE-F30WI12M
Imaging Sensor	1/1.7" SONY Low Illumination CMOS Sensor
Effective Pixels	4000(H)*3000(V). 12Mega pixels
TV System	PAL/NTSC
Scanning mode	Progressive Scan
S/N Ratio	≥52dB
Day & Night mode	ICR by Auto, Day, Night, External, Color DN
WDR	WDR (ATR-EX)
DNR	2D-NR, 3D-NR
Auto Exposure	Automatic (Priority: Frame rate/Low noise), Manual
Shutter Speed	Auto: PAL 1/25-1/10000Sec; NTSC 1/25-1/10000Sec
Gain Control	Automatic: ~ Max. 46.2dB / Manual: ~ Max. 46.2dB
Auto White Balance mode	ATW-Indoor/Outdoor, Automatic, Shade, Clear sky, Fluorescent light, Light bulb, Flame, Manual
Lens	1.77mm/F2.4 Fixed
LED	42µx 3PCS IR Distance 30m Max
Functions	Motion Detection, Privacy Mask, D-Zoom, HLC/BLC, Mirror/Flip, Sens-up(Slow shutter), Hue, Brightness, Contrast, Saturation, Sharpness, Defog
Storage Temperature	-20°C ~ +60°C RH95% Max
Operating Temp	-20°C ~ +60°C RH95% Max
Dimension	182(W) x 66(H) x 67.5(D)mm
Housing	IP66, Metal
Power Source	PoE(IEEE Std. 802.3af), 8W (PoE power), DC12V±10%, 1050mA
NETWORK SPECIFICATION	
Video Compression	H.264/H.264+/H.265/H.265+/JPEG/AVI /MJPEG
Video Resolution	12MP (4000x3000), 4K (3840x2160), 5MP (2560x1920), 3MP (2048x1536), 1080P (1920x1080),
Video Frame Rate	4000x3000@15fps(30/25fps@3840x2160/3072x2048/2560)
IE Brower	IE8-11, Google Chrome, Firefox, Safari, Mac Safari
Smart Phone	iPhone, iPad, Android, Android Pad
P2P	YES, Support QR Code
Ethernet	RJ-45 (10/100Base-T)
Network Time Sync.	Synchronize Computer/NTP Server, Manual
Video Delay	0.3S (Within the Lan)
RS485	/
Remote Upgrade	Using Web Browser
Protocol	TCP/IP,ICMP,HTTP,HTTPS,FTP,DHCP,DNS,DDNS,RTP,RTSP, RTCP,NTP,SMTP
Client Software	Built-In Web, ONVIF Compatible 3rd Party VMS
SDK Support	API, ONVIF Profile S Compliant
SD memory card	support 64G Micro SD
Audio & Alarm	1channel Input/Ouput / 2-way audio(3.5mm audio interface)

Dimension (unit:mm)

Weight

500g



(*) Design and specifications are subject to change for product improvements without prior notice.

