

## GE-DF60FC2M

Outdoor Dome Varifocal IP Network Camera with IR (F-Series)



### Features

- 1/2.9" CMOS Senso 2.8-12mm Manual Varifocal Lens
- ONVIF Conformance
- HISILICON F23 + Hi3516E
- H.265+/H.265/H.264+/H.264 Compression Method
- WDR (Wide Dynamic Range)
- Improved noise figure with the enhanced 3DNR
- One touch 3-Axis locking bracket, Easy Installation Pad
- IP66 Protection

### Specifications

ITEM	GE-DF60FC2M
<b>Imaging Sensor</b>	1/2.9"Low Illumination CMOS Sensor
<b>Effective Pixels</b>	1985(H)*1105(V). 2Mega pixels
<b>TV System</b>	PAL/NTSC
<b>Scanning mode</b>	Progressive Scan
<b>S/N Ratio</b>	≥52dB
<b>Day &amp; Night mode</b>	ICR by Auto, Day, Night, External, Color DN
<b>WDR</b>	WDR (ATR-EX)
<b>DNR</b>	2D-NR, 3D-NR
<b>Auto Exposure</b>	Automatic (Priority: Frame rate/Low noise), Manual
<b>Shutter Speed</b>	Auto: PAL 1/25-1/10000Sec; NTSC 1/25-1/10000Sec
<b>Gain Control</b>	Automatic: ~ Max. 46.2dB / Manual: ~ Max. 46.2dB
<b>Auto White Balance mode</b>	ATW-Indoor/Outdoor, Automatic, Shade, Clear sky, Fluorescent light, Light bulb, Flame, Manual
<b>Lens</b>	2.8-12mm Manual Varifocal
<b>LED</b>	42μ x 4PCS Indoor IR Distance 40m / Outdoor IR Distance Max 60m
<b>Functions</b>	Motion Detection, Privacy Mask, VCA(Video Contents Analysis), Defog, D-Zoom, HLC/BLC, Mirror/Flip, Sens-up(Slow shutter), Hue, Brightness, Contrast, Saturation, Sharpness, LDC(Lens Distortion Compensation), Auto-Flickerless, Smart IR, VerticalView
<b>Storage Temperature</b>	-20°C ~ +60°C RH95% Max
<b>Operating Temp</b>	-20°C ~ +60°C RH95% Max
<b>Dimension</b>	182(W) x 66(H) x 67.5(D)mm
<b>Housing</b>	IP66, Aluminum Cast, Dual window, One touch 3-Axis locking bracket, Easy Installation Pad
<b>Power Source</b>	PoE(IEEE Std. 802.3af ), 8W (PoE power), DC12V±10%, 1050mA
NETWORK SPECIFICATION	
<b>Video Compression</b>	H.264/H.264+/H.265/H.265+/JPEG/AVI /MJPEG
<b>Video Resolution</b>	1920x1080, 1600 x1200, 1280x960, 1280x720, 800x600, 640x480, 640x360, 320x240
<b>Video Frame Rate</b>	1920*1080@30fps
<b>IE Brower</b>	IE8-11, Google Chrome, Firefox, Safari, Mac Safari
<b>Smart Phone</b>	iPhone, iPad, Android, Android Pad
<b>P2P</b>	YES, Support QR Code
<b>Ethernet</b>	RJ-45 (10/100Base-T)
<b>Network Time Sync.</b>	Synchronize Computer/NTP Server, Manual
<b>Video Delay</b>	0.3S (Within the Lan)
<b>RS485</b>	/
<b>Remote Upgrade</b>	Using Web Browser
<b>Protocol</b>	TCP/IP,ICMP,HTTP,HTTPS,FTP,DHCP,DNS,DDNS,RTP,RTSP, RTCP,NTP,SMTP
<b>Client Software</b>	Built-In Web, ONVIF Compatible 3rd Party VMS
<b>SDK Support</b>	API, ONVIF Profile S Compliant
<b>SD memory card</b>	Optional, Support Max 128GB
<b>Audio &amp; Alarm</b>	Not Available /Optional

### AVAILABLE ACCESSORIES



GE-A0302



GE-A0302+GE-A0811



GE-A0302+GE-AJ0501

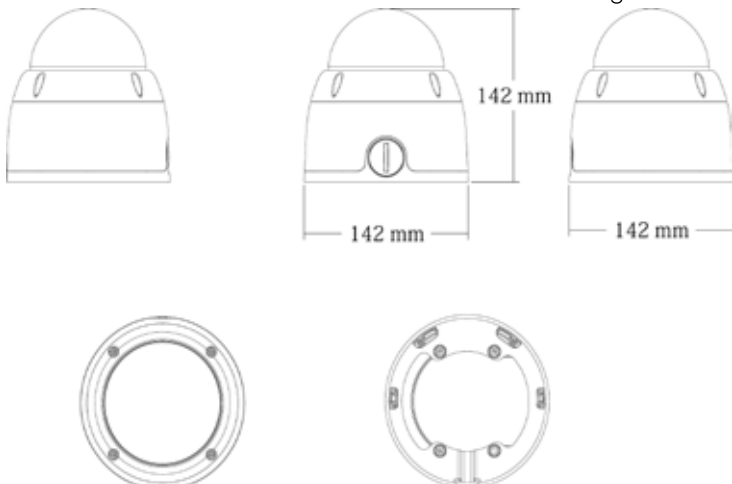


GE-YXH0302+GE-A0601

### Dimension (unit:mm)

### Weight

1200g



(\* Design and specifications are subject to change for product improvements without prior notice.

