

GE-BF60NO4M

Outdoor bullet-type Varifocal IP Camera with IR (N-Series)



Features

- 1/3" OV High-resolution CMOS Sensor
- 2.8-12mm Manual Varifocal Lens
- ONVIF Conformance
- HISILICON OV4689 + Hi3516D
- H.265+/H.265/H.264+/H.264 Compression Method
- WDR (Wide Dynamic Range)
- Improved noise figure with the enhanced 3DNR
- One touch 3-Axis locking bracket, Easy Installation Pad
- IP66 Protection

AVAILABLE ACCESSORIES



GE-A0302

GE-A0302+GE-A0811



GE-A0302+GE-AJ0501



GE-YXH0302+GE-A0601

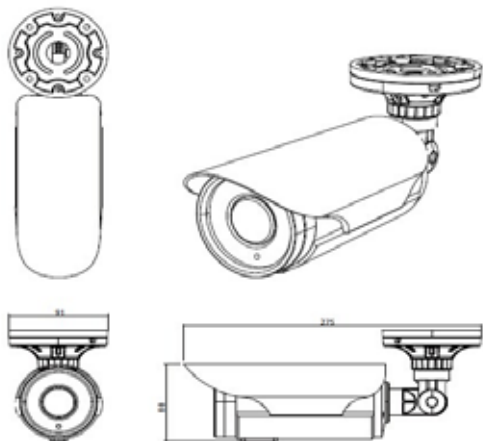
Specifications

ITEM	GE-BF60NO4M
Imaging Sensor	1/3" OV High-resolution CMOS Sensor
Effective Pixels	2560(H)*1440(V). 4Mega pixels
TV System	PAL/NTSC
Scanning mode	Progressive Scan
S/N Ratio	≥52dB
Day & Night mode	ICR by Auto, Day, Night, External, Color DN
WDR	WDR (ATR-EX)
DNR	2D-NR, 3D-NR
Auto Exposure	Automatic (Priority: Frame rate/Low noise), Manual
Shutter Speed	Auto: PAL 1/25-1/10000Sec; NTSC 1/25-1/10000Sec
Gain Control	Automatic: ~ Max. 46.2dB / Manual: ~ Max. 46.2dB
Auto White Balance mode	ATW-Indoor/Outdoor, Automatic, Shade, Clear sky, Fluorescent light, Light bulb, Flame, Manual
Lens	2.8-12mm Manual Varifocal
LED	42μ x 4PCS IR Distance 60m Max
Functions	Motion Detection, Privacy Mask, VCA(Video Contents Analysis), Defog, D-Zoom, HLC/BLC, Mirror/Flip, Sens-up(Slow shutter), Hue, Brightness, Contrast, Saturation, Sharpness, LDC(Lens Distortion Compensation), Auto-Flickerless, Smart IR, VerticalView
Storage Temperature	-20℃ ~ +60℃ RH95% Max
Operating Temp	-20℃ ~ +60℃ RH95% Max
Dimension	182(W) x 66(H) x 67.5(D)mm
Housing	IP66, Aluminum Cast, Dual window, One touch 3-Axis locking bracket, Easy Installation Pad
Power Source	PoE(IEEE Std. 802.3af), 8W (PoE power), DC12V±10%, 1050mA
NETWORK SPECIFICATION	
Video Compression	H.264/H.264+/H.265/H.265+/JPEG/AVI /MJPEG
Video Resolution	2560x1440, 2304x1296, 2048x1536, 1920x1440, 1920x1080, 1280x720, 800x600, 640x480, 640x360, 320x240
Video Frame Rate	2560x1440@20fps (30/25fps@2304x1296/2048x1536/1920x1080p)
IE Brower	IE8-11, Google Chrome, Firefox, Safari, Mac Safari
Smart Phone	iPhone, iPad, Android, Android Pad
P2P	YES, Support QR Code
Ethernet	RJ-45 (10/100Base-T)
Network Time Sync.	Synchronize Computer/NTP Server, Manual
Video Delay	0.3S (Within the Lan)
RS485	/
Remote Upgrade	Using Web Browser
Protocol	TCP/IP,ICMP,HTTP,HTTPS,FTP,DHCP,DNS,DDNS,RTP,RTSP, RTCP,NTP,SMTP
Client Software	Built-In Web, ONVIF Compatible 3rd Party VMS
SDK Support	API, ONVIF Profile S Compliant
SD memory card	Optional, Support Max 128GB
Audio & Alarm	Not Available /Optional

Dimension (unit:mm)

Weight

1400g



(*) Design and specifications are subject to change for product improvements without prior notice.

